

MOTOR SPECIFICATIONS:

MOTOR TECH SPECS

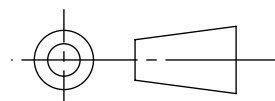
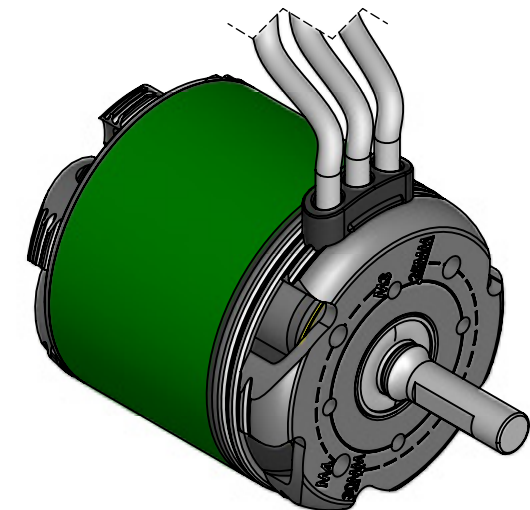
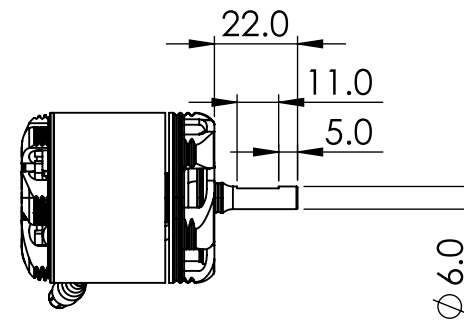
- 8 POLE
- 1,420 KV
- 45,000 RPM MAX

MECHANICAL SPECS

- OAL: 73MM
- DIAMETER: 45MM
- SHAFT LENGTH: 22MM
- SHAFT DIAMETER: 6MM
- MOUNTING OPTIONS
 - M3 THREAD ON 25MM BOLT CIRCLE
 - M4 THREAD ON 30MM BOLT CIRCLE
- WEIGHT: 321.2 g (11.33 OZ)

WIRE AND BULLETS

- 13 AWG, SILICONE WIRE, BLACK, WHITE, RED, 150MM LONG
- 5.5MM CC BULLETS (FEMALES INCLUDED IN PACKAGING)



PROPRIETARY AND CONFIDENTIAL
 THE INFORMATION CONTAINED IN THIS
 DRAWING IS THE SOLE PROPERTY OF
 CASTLE CREATIONS. ANY
 REPRODUCTION IN PART OR AS A WHOLE
 WITHOUT THE WRITTEN PERMISSION OF
 CASTLE CREATIONS IS PROHIBITED.

UNLESS OTHERWISE SPECIFIED:
 DIMENSIONS ARE IN MILLIMETERS (INCHES)
 TOLERANCES:
 ANGULAR: MACH±0.5° BEND ±1°
 ONE PLACE DECIMAL ±0.2
 TWO PLACE DECIMAL ±0.1

DRAWN: JCV

DATE: 01/22/2013

MATERIAL

FINISH

DO NOT SCALE DRAWING

TITLE:

SIZE | DWG. NO.

B | Vertigo 500-3525 FINAL

SCALE: 1:2

castle creations, inc.